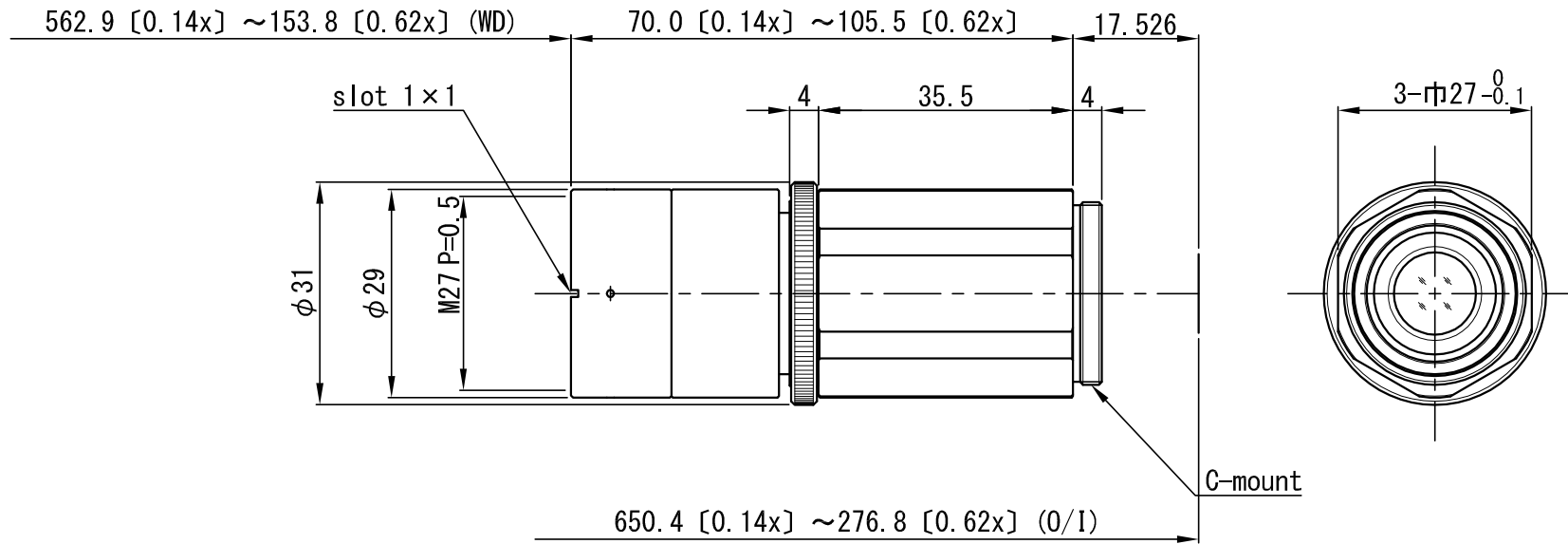


Vibration Resistant Distortionless Lens

| Model | | VS-MCA75 | | | | | | | | |
|--------------------------------|------|--|-----|----------------|-----|-----|----------------|-----|------|------|
| Focal Length(f) | | 75 mm (73.98) | | | | | | | | |
| Maximum Aperture Ratio | | 1: 3.8 | | | | | | | | |
| Optical Mag. Range | | (∞) × 0.14 ~ × 0.62 | | | | | | | | |
| Optical Mag. | | × 0.14 | | × 0.4 | | | × 0.62 | | | |
| FOV (V x H) | 2/3" | 50.7 × 60.0 mm | | 17.8 × 21.0 mm | | | 11.5 × 13.6 mm | | | |
| | 1/2" | 34.3 × 45.7 mm | | 12.0 × 16.0 mm | | | 7.7 × 10.3 mm | | | |
| | 1/3" | 25.7 × 34.3 mm | | 9.0 × 12.0 mm | | | 5.8 × 7.7 mm | | | |
| WD | | 562.9 mm | | 219.5 mm | | | 153.8 mm | | | |
| O/I (Object & Imager Distance) | | 650.4 mm | | 326.2 mm | | | 276.8 mm | | | |
| Aperture | | 3.8 | 5.6 | 8 | 3.8 | 5.6 | 8 | 3.8 | 5.6 | 8 |
| Working F/# | | 4.1 | 7.0 | 10.1 | 4.8 | 9.7 | 13.9 | 6.2 | 12.0 | 17.2 |
| TV Distortion (2/3") | | 0.03 % | | -0.01 % | | | -0.02 % | | | |
| Operation | | Manual | | | | | | | | |
| Wavelength | | Visible | | | | | | | | |
| Mount | | C-Mount | | | | | | | | |
| Flange Back | | 17.526 mm | | | | | | | | |
| Sensor Size (max.) | | 2/3" | | | | | | | | |
| Filter Thread | | M 27 P= 0.5 | | | | | | | | |
| Weight (approx.) | | 80 g | | | | | | | | |
| Dimension | | ϕ 31 (max.) × L = 70 (X0.14) ~ 105.5 (X0.62) mm | | | | | | | | |

※ Note: Available with MC Focus Locking System, FNO (Iris Open) 5 .6 & 8



| | | | | | | | | | | | | | | |
|--------------------|---------------|------|------|----------|---------|------------------------|--|-----------------|-----------|-----------------|-------|----------|----------|--------------|
| $\triangle \times$ | | | | APPROVED | CHECKED | MATERIAL 材料 | - | CHAMFER 一般面取 | - | QUANTITY 個数 | | | | |
| $\triangle \times$ | | | | T. A. | T. A. | TREATMENT 処理 | - | FINISHING 仕上 | - | - | | | | |
| $\triangle \times$ | | | | | | TREATMENT CONTACT 処理接点 | - | DECENTRATION 偏芯 | - | | | | | |
| $\triangle \times$ | | | | DESIGNED | DRAWN | OVER 250 UP TO 1000 | ± 0.3 ± 0.5 ± 1.0 ± 0.2 | ANGLE 角度 | METHOD 図法 | REMARK 適用 (機種名) | | | | |
| $\triangle \times$ | | | | T. A. | T. T. | OVER 63 UP TO 250 | ± 0.2 ± 0.3 ± 0.6 ± 0.15 | UNIT (mm) | - | VS-MCA75 | | | | |
| $\triangle \times$ | | | | | | OVER 16 UP TO 63 | ± 0.1 ± 0.2 ± 0.4 ± 0.1 | | | | SCALE | 1 / 1 | NAME | 外觀圖 |
| $\triangle \times$ | | | | | | OVER 0 UP TO 16 | ± 0.05 ± 0.1 ± 0.2 ± 0.1 | | | | DATE | 17.06.08 | DRAW NO. | 01D1MC0360A1 |
| NO. x 箇所 | REVISION 訂正事項 | DATE | NAME | | | TOLERANCES | A B C S | | | | | | | |