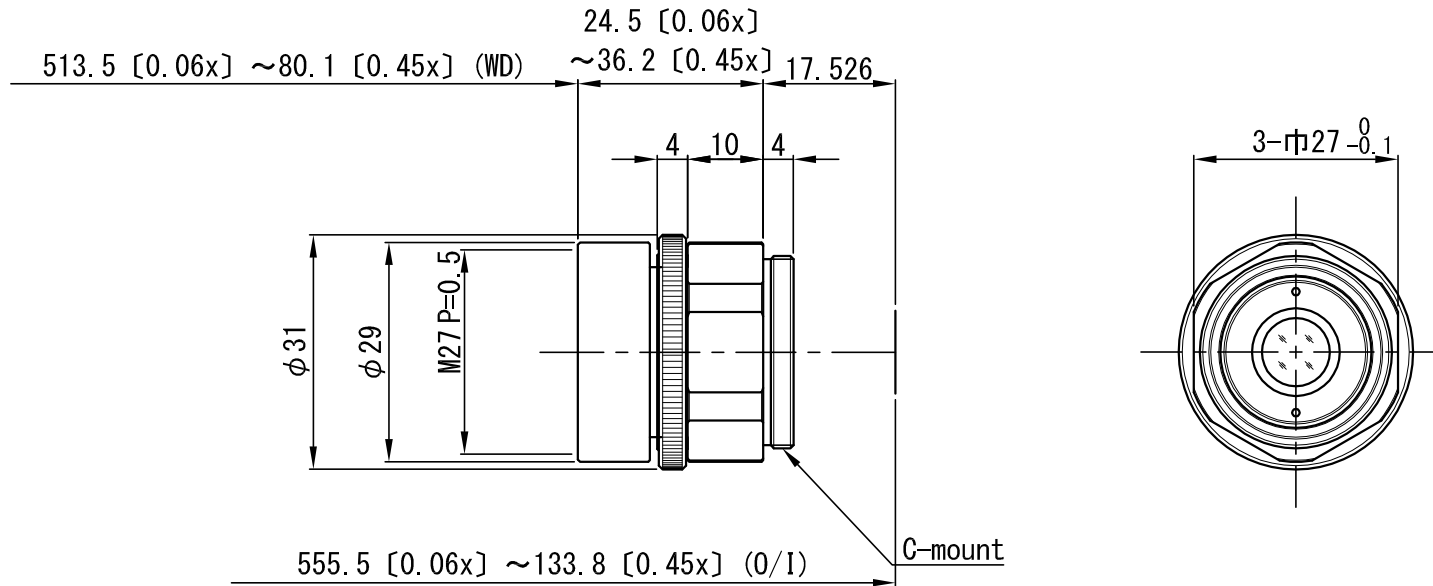


Vibration Resistant Distortionless Lens

Model		VS-MCA30								
Focal Length(f)		30 mm (30.00)								
Maximum Aperture Ratio		1: 2.0								
Optical Mag. Range		× 0.06 ~ × 0.45								
Optical Mag.		× 0.06		× 0.25			× 0.45			
FOV (V x H)	2/3"	118.3 × 140.0 mm		28.4 × 33.6 mm			15.8 × 18.7 mm			
	1/2"	80.0 × 106.7 mm		19.2 × 25.6 mm			10.7 × 14.2 mm			
	1/3"	60.0 × 80.0 mm		14.4 × 19.2 mm			8.0 × 10.7 mm			
WD		513.5 mm		133.5 mm			80.1 mm			
O/I (Object & Imager Distance)		555.5 mm		181.2 mm			133.8 mm			
Aperture		2	5.6	8	2	5.6	8	2	5.6	8
Working F/#		2.4	5.9	8.5	2.9	7.0	10.0	3.3	8.1	11.6
TV Distortion (2/3")		0.11 %		-0.07 %			-0.09 %			
Operation		Manual								
Wavelength		Visible								
Mount		C-Mount								
Flange Back		17.526 mm								
Sensor Size (max.)		2/3"								
Filter Thread		M 27 P= 0.5								
Weight (approx.)		39 g								
Dimension		ϕ 31 (max.) × L = 24.5 (X0.06) ~ 36.2 (X0.45) mm								

※ Note: Available with MC Focus Locking System, FNO (Iris Open) 5 .6 & 8



$\triangle \times$				APPROVED	CHECKED	MATERIAL 材料	-	CHAMFER 一般面取	-	QUANTITY 個数	
$\triangle \times$				T. A.	T. A.	TREATMENT 処理	-	FINISHING 仕上	-	-	
$\triangle \times$						TREATMENT CONTACT 処理接点	-	DECENTRATION 偏芯	-		
$\triangle \times$				DESIGNED	DRAWN	OVER 250 UP TO 1000	± 0.3	± 0.5	± 1.0	± 0.2	
$\triangle \times$				T. A.	T. T.	OVER 63 UP TO 250	± 0.2	± 0.3	± 0.6	± 0.15	
$\triangle \times$						OVER 16 UP TO 63	± 0.1	± 0.2	± 0.4	± 0.1	SCALE
$\triangle \times$						OVER 0 UP TO 16	± 0.05	± 0.1	± 0.2	± 0.1	
NO. x 箇所	REVISION 訂正事項	DATE	NAME			TOLERANCES	A	B	C	S	
						UNIT (mm)	ANGLE 角度		METHOD 図法	REMARK 適用 (機種名)	
							-			V S - M C A 3 0	
							1 / 1		NAME	外觀圖	
						DATE	17.03.10		DRAW NO.	01D MC0359A1	