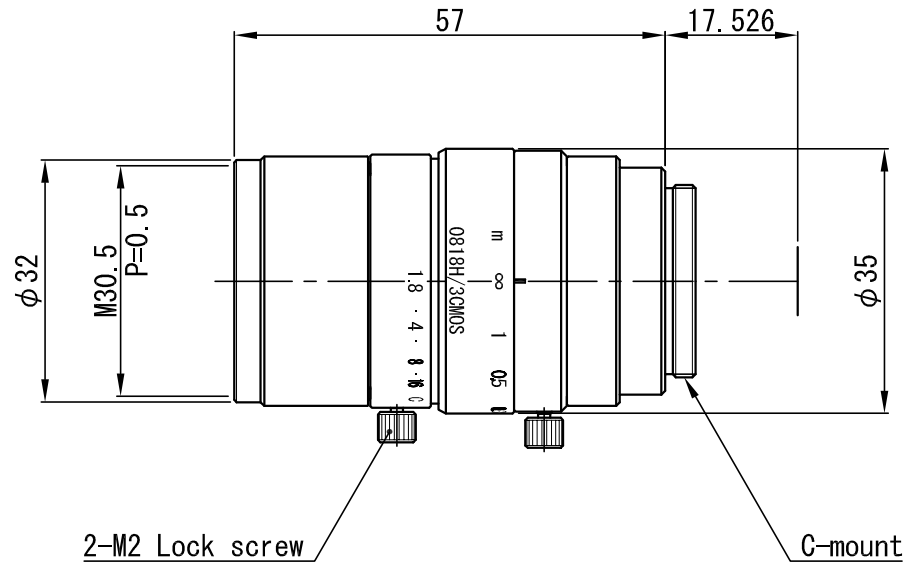


### 3CMOS Fixed Focal Length Lens

Model	VS-0818H/3CMOS
Focal Length (f)	8 mm (8.28)
Maximum Aperture Ratio	1: 1.8
Aperture	F 1.8 ~ Close
Angle of View (1/1.8")	36.6° × 47.3° (Diagonal: 57.9° )
M.O.D	100 mm
TV Distortion (1/1.8")	-0.81 %
Operation	Manual (Lock screw M2)
Wavelength	Visible
Mount	C-Mount
Flange Back	17.526 mm
Sensor Size (max.)	1/1.8"
Filter Thread	M 30.5 P= 0.5
Weight (approx.)	- g
Dimension	$\phi$ 35 (max.) × L = 57 mm



△×				APPROVED	CHECKED	MATERIAL 材料	-	CHAMFER 一般面取	-	QUANTITY 個数				
△×				T. A.	T. A.	TREATMENT 処理	-	FINISHING 仕上	-	-				
△×						TREATMENT CONTACT 処理接点	-	DECENTRATION 偏芯	-					
△×				DESIGNED	DRAWN	OVER 250 UP TO 1000	±0.3 ±0.5 ±1.0 ±0.2	ANGLE 角度	METHOD 図法	REMARK 適用 (機種名)				
△×				T. A.	T. S.	OVER 63 UP TO 250	±0.2 ±0.3 ±0.6 ±0.15	UNIT (mm)	-	VS-0818H/3CMOS				
△×						OVER 16 UP TO 63	±0.1 ±0.2 ±0.4 ±0.1				SCALE	1 / 1	NAME	外觀圖
△×						OVER 0 UP TO 16	±0.05 ±0.1 ±0.2 ±0.1				DATE	17.09.12	DRAW NO.	01D S V 0 1 5 9 A 1
NO. × 箇所	REVISION 訂正事項	DATE	NAME											
TOLERANCES		A	B	C	S									