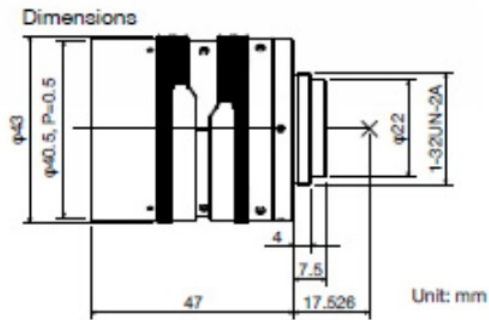


FL-CC1614-5M



Format size		2/3, 1/1.8, 1/2, 1/3" format
Focal length		16 mm
Maximum aperture ratio		1 : 1.4
Iris range		1.4-16
Mount		C
Horizontal angle of view	1/3" format	17.1°
	1/2" format	22.7°
	1/1.8" format	25.4°
	2/3" format	30.8°
Minimum object distance		0.1 m
Back focal length		11.5 mm
Filter size		40.5 P=0.5 mm
Dimensions		φ43×47 mm
Weight		140 g
Remarks		Focus & Iris lock screws