

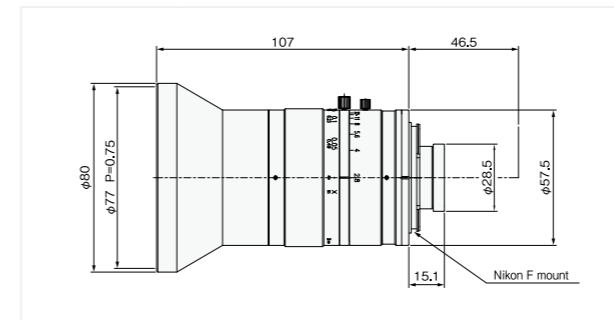
High Resolution and Wide Angle Lens for Area and Line Scan Camera

Excellent relative illumination High resolution at whole working distance

- ▶ Design for high resolution and low distortion, stable performance at whole working distance
- ▶ Possible to use for small pixel size, 3.5 μ line scan camera
- ▶ Very low color aberration, compatible with 3-line camera
- ▶ 「LSF5028-F」 is available to 0.3x without extension ring
- ▶ Wide angle, f25mm is available
- ▶ Suitable for large area sensor, 12 Mega, 16 Mega, and 29 Mega

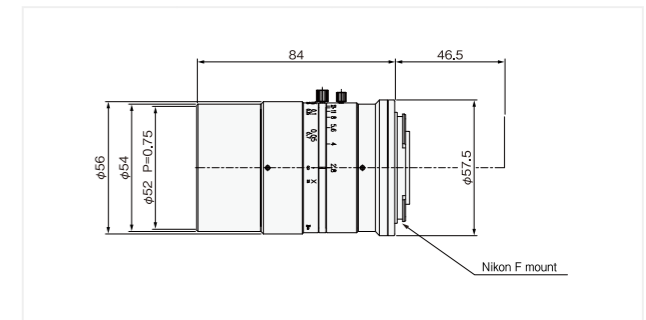


LSF2528-F



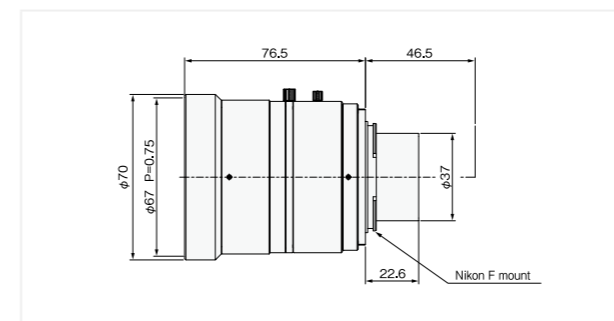
Focal length	25mm	Optical distortion	0.66%
∞ F No.	2.8	Maximum Compatible CCD	ϕ 44mm
Range of WD	140mm - ∞	Mount	F
Magnification at MOD	0.15x		

LSF3528-F



Focal length	35mm	Optical distortion	-0.31%
∞ F No.	2.8	Maximum Compatible CCD	ϕ 44mm
Range of WD	230mm - ∞	Mount	F
Magnification at MOD	0.15x		

LSF5028-F



Focal length	50mm	Optical distortion	-0.40%
∞ F No.	2.8	Maximum Compatible CCD	ϕ 44mm
Range of WD	190mm - ∞	Mount	F
Magnification at MOD	0.3x		

* Indicated specifications are design value.