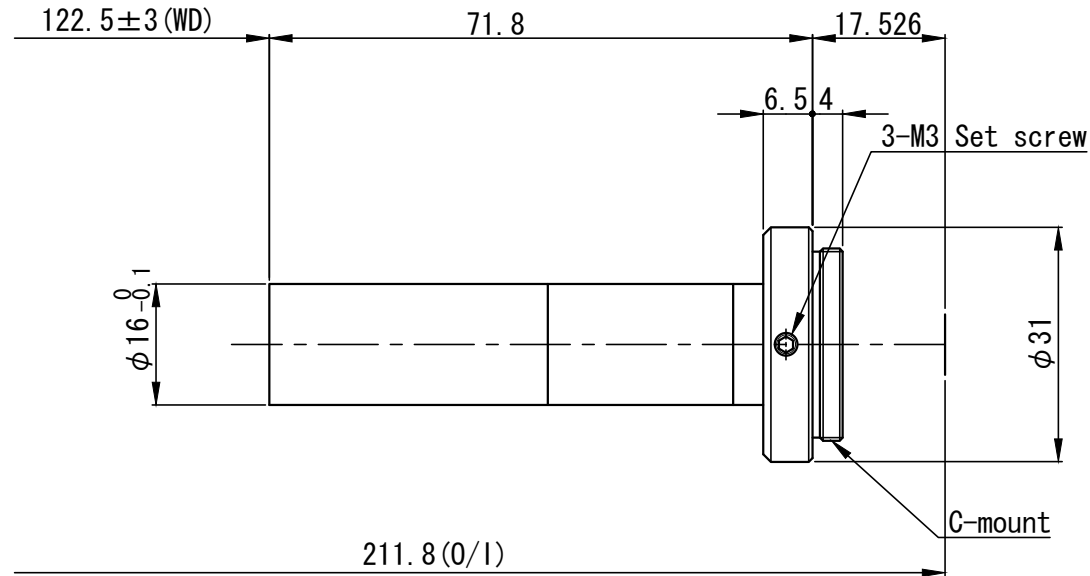


Standard Telecentric Lens

Model		VS-TC08-120			
Optical Mag.		× 0.8 ± 5 %			
FOV (V x H)	2/3"	-			
	1/2"	6.0	×	8.0	mm
	1/3"	4.5	×	6.0	mm
WD		122.5 mm ± 3			
O/I (Object & Imager Distance)		211.8 mm			
Working F/#		18.0			
NA		0.022			
DOF at PCoC ϕ 0.04mm		2.3 mm			
TV Distortion (1/2")		0.10 %			
Relative Illuminance (Y=4)		90 %			
Wavelength		Visible			
Mount		C-Mount			
Flange Back		17.526 mm			
Sensor Size (max.)		1/2"			
Co-Axial Prism		-			
Weight (approx.)		40 g			
Dimension		ϕ 31 (max.)	×	L =	71.8 mm



△				APPROVED	CHECKED	MATERIAL 材料	-	CHAMFER 一般面取	-	QUANTITY 個数	
△				T. A.	T. A.	TREATMENT 処理	-	FINISHING 仕上	-	-	
△						TREATMENT CONTACT 処理接点	-	DECENTRATION 偏芯	-		
△				DESIGNED	DRAWN	OVER 250 UP TO 1000	±0.3 ±0.5 ±1.0 ±0.2	ANGLE 角度	METHOD 図法	REMARK 適用 (機種名)	
△				T. A.	M. Y.	OVER 63 UP TO 250	±0.2 ±0.3 ±0.6 ±0.15	UNIT (mm)	-	VS-TC08-120	
△						OVER 16 UP TO 63	±0.1 ±0.2 ±0.4 ±0.1				SCALE
△						OVER 0 UP TO 16	±0.05 ±0.1 ±0.2 ±0.1	DATE	'11.05.10	DRAW NO.	01DTC0255A1
	DATE	EXCH NO.	REVISION 変更記事			TOLERANCES	Ⓐ B C S				