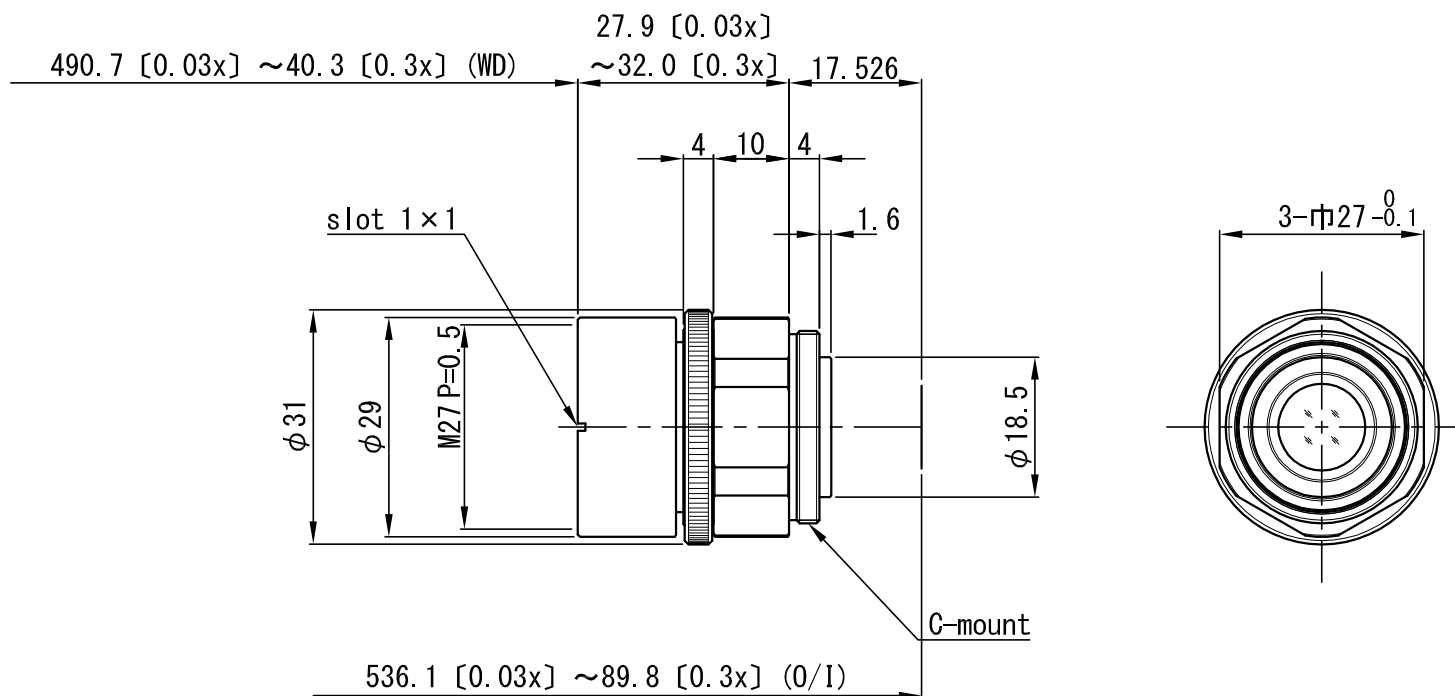


Vibration Resistant Distortionless Lens

| Model | | VS-MCA15 | | | | | | | | |
|--------------------------------|------|----------------------------------------------------|-----|----------------|-----|-----|----------------|-----|-----|------|
| Focal Length(f) | | 15 mm (15.01) | | | | | | | | |
| Maximum Aperture Ratio | | 1: 2.0 | | | | | | | | |
| Optical Mag. Range | | (∞) × 0.03 ~ × 0.3 | | | | | | | | |
| Optical Mag. | | × 0.03 | | × 0.2 | | | × 0.3 | | | |
| FOV (V x H) | 2/3" | 236.7 × 280.0 mm | | 35.5 × 42.0 mm | | | 23.7 × 28.0 mm | | | |
| | 1/2" | 160.0 × 213.3 mm | | 24.0 × 32.0 mm | | | 16.0 × 21.3 mm | | | |
| | 1/3" | 120.0 × 160.0 mm | | 18.0 × 24.0 mm | | | 12.0 × 16.0 mm | | | |
| WD | | 490.7 mm | | 65.4 mm | | | 40.3 mm | | | |
| O/I (Object & Imager Distance) | | 536.1 mm | | 113.4 mm | | | 89.8 mm | | | |
| Aperture | | 2 | 5.6 | 8 | 2 | 5.6 | 8 | 2 | 5.6 | 8 |
| Working F/# | | 2.1 | 5.8 | 8.2 | 2.4 | 6.7 | 9.6 | 2.6 | 7.3 | 10.4 |
| TV Distortion (2/3") | | -0.01 % | | -0.13 % | | | -0.22 % | | | |
| Operation | | Manual | | | | | | | | |
| Wavelength | | Visible | | | | | | | | |
| Mount | | C-Mount | | | | | | | | |
| Flange Back | | 17.526 mm | | | | | | | | |
| Sensor Size (max.) | | 2/3" | | | | | | | | |
| Filter Thread | | M 27 P= 0.5 | | | | | | | | |
| Weight (approx.) | | 42 g | | | | | | | | |
| Dimension | | ϕ 31 (max.) × L = 27.9 (X0.03) ~ 32 (X0.3) mm | | | | | | | | |

※ Note: Available with MC Focus Locking System, FNO (Iris Open) 5 .6 & 8



| | | | | | | | | | | | | | |
|----------|---------------|------|------|------------|---------|-----------------------------------------|-----------|-----------------|-----------|-----------------|----------|----------|--------------|
| △× | | | | APPROVED | CHECKED | MATERIAL 材料 | - | CHAMFER 一般面取 | - | QUANTITY 個数 | | | |
| △× | | | | T. A. | T. A. | TREATMENT 処理 | - | FINISHING 仕上 | - | - | | | |
| △× | | | | | | TREATMENT CONTACT 処理接点 | - | DECENTRATION 偏芯 | - | | | | |
| △× | | | | DESIGNED | DRAWN | OVER 250 UP TO 1000 ±0.3 ±0.5 ±1.0 ±0.2 | UNIT (mm) | ANGLE 角度 | METHOD 図法 | REMARK 適用 (機種名) | | | |
| △× | | | | T. A. | T. T. | OVER 63 UP TO 250 ±0.2 ±0.3 ±0.6 ±0.15 | | - | | VS-MCA15 | | | |
| △× | | | | | | OVER 16 UP TO 63 ±0.1 ±0.2 ±0.4 ±0.1 | | SCALE | | | 1 / 1 | NAME | 外觀図 |
| △× | | | | | | OVER 0 UP TO 16 ±0.05 ±0.1 ±0.2 ±0.1 | | DATE | | | 17.02.06 | DRAW NO. | 01D1MC0364A1 |
| NO. × 箇所 | REVISION 訂正事項 | DATE | NAME | TOLERANCES | A B C S | | | | | | | | |