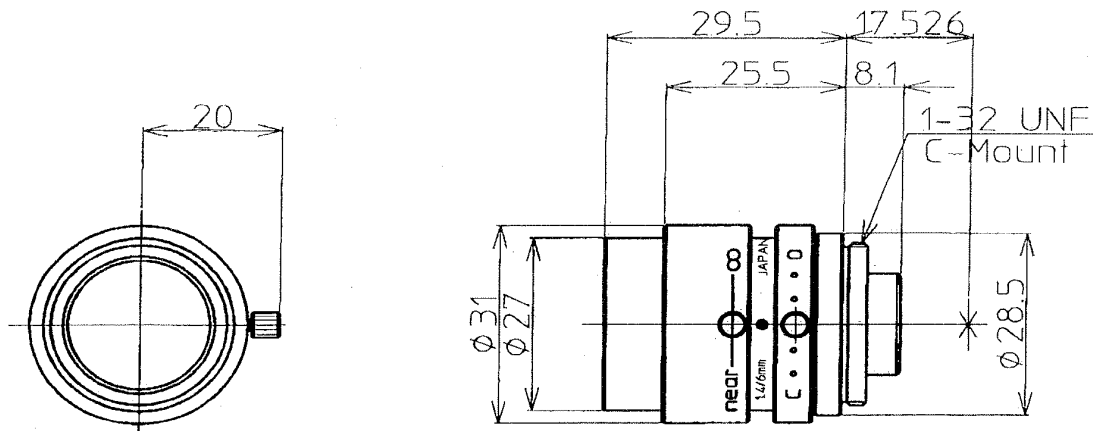


LM6NCL



Focal Length (mm)		f = 6mm ± 5%	
Relative Aperture		F = 1 : 1.4 ± 5%	
Format Size		1/2"	1/3"
Image Size		4.8 x 6.4 mm	3.6 x 4.8 mm
Angular Field of View	Diagonal	69.4°	54.4°
	Horizontal	57.3°	44.2°
	Vertical	44.0°	33.7°
Distortion		-1.0%	
Field of View at Minimum Object Distance	Diagonal	221 mm	
	Horizontal	174 mm	
	Vertical	128 mm	
Lens Construction		6 Groups	7 Elements
Minimum Focus Distance		0.2 m	
Flange Focal Length		17.526 mm in air	
Back Focal Length		9.46 mm in air	
Filter Size		M25.5 x 0.5	
Clear Aperture	Front	φ16.2 mm	
	Rear	φ8.7 mm	
Mount		C-Mont	
Exit Pupil Position		-77.3 mm	
Operating Temperature Range		-10°C ~ +45°C	
Storage Temperature Range		-40°C ~ +60°C	
Resolution	Center	100 lines/mm	
	Corner	40 lines/mm	
Weight		60grs. ± 5grs.	