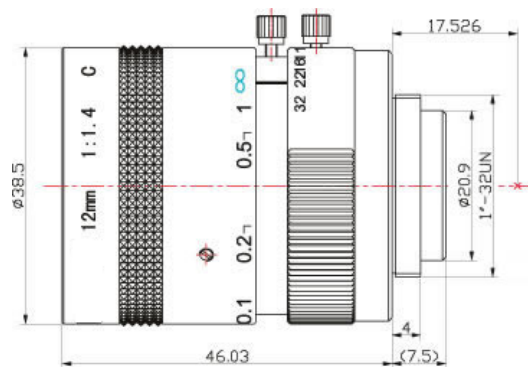




SPECIFICATIONS

Resolution:	150lp/mm (5MP)	
Format :	2/3"	
Mount :	C	
Focal Length:	12mm	
F/No :	F1.4~F32	
Back Focus :	10.365mm	
Iris Type :	Manual Iris	
Horizontal Angle :	2/3"	37.94°
	1/2"	28.07°
	1/3"	21.23°
	1/4"	16.01°
Distortion :	<0.2%	
Focusing Range:	∞ ~ 0.1m	
Design Wavelength:	400nm~950nm	
Filter Thread :	M35.5x0.5	
Dimension :	∅ 38.5 x 46.03mm	
Weight :	150g	

Dimension



MTF Curves

