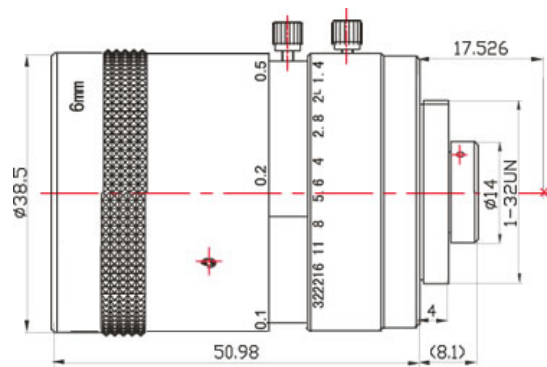




## SPECIFICATIONS

Resolution:	150lp/mm (5MP)	
Format :	1/2"	
Mount :	C	
Focal Length:	6mm	
F/No :	F1.4~F32	
Back Focus :	9.8mm	
Iris Type :	Manual Iris	
Horizontal Angle :	1/2"	54.60°
	1/3"	42.30°
	1/4"	32.40°
Distortion :	<1%	
Focusing Range:	∞ ~ 0.05m	
Design Wavelength:	400nm~950nm	
Filter Thread :	M35.5x0.5	
Dimension :	∅ 38.5 x 50.98mm	
Weight :	140g	

## Dimension



MTF Curves

